

### Contents

|                                  |   |                           |   |
|----------------------------------|---|---------------------------|---|
| Important User Information ..... | 2 | Required Tools .....      | 3 |
| General .....                    | 2 | Hardware Parts List ..... | 3 |
| Manufacturer .....               | 2 | Assembly .....            | 4 |
| Intended Use .....               | 2 |                           |   |
| Warranty .....                   | 2 |                           |   |



Visit the Essential Lab Workstation web page at [wengercorp.com](http://wengercorp.com) for more information.

**Note:** Please read and understand these instructions before assembling or setting up.  
**Note:** If you need additional information, contact Wenger Corporation using the information below.

# ***Important User Information***

---

## ***General***

Copyright © 2024 by Wenger Corporation

All rights reserved. No part of the contents of this manual may be reproduced, copied, or transmitted in any form or by any means including graphic, electronic, or mechanical methods or photocopying, recording, or information storage and retrieval systems without the written permission of the publisher, unless it is for the purchaser's personal use.

Printed and bound in the United States of America.

The information in this manual is subject to change without notice and does not represent a commitment on the part of Wenger Corporation. Wenger Corporation does not assume any responsibility for any errors that may appear in these instructions.

In no event will Wenger Corporation be liable for technical or editorial omissions made herein, nor for direct, indirect, special, incidental, or consequential damages resulting from the use or defect of these instructions. The manufacturer reserves the right to change this product at any time.

The information in this document is not intended to cover all possible conditions and situations that might occur. The end user must exercise caution and common sense when assembling or installing Wenger Corporation products. If any questions or problems arise, call the Wenger Corporation at (800) 4WENGER (493-6437) or +1-507-455-4100 worldwide.

## ***Manufacturer***

The Essential Lab Workstation is manufactured by:

Wenger Corporation  
555 Park Drive  
Owatonna, MN 55060  
(800) 4WENGER (493-6437) • +1 (507) 455-4100  
wengercorp.com

## ***Intended Use***

- This product is intended for indoor use in normal ambient temperature and humidity conditions – it must not be exposed to prolonged outside weather conditions.
- This product is intended to be assembled and used only as described in these instructions.

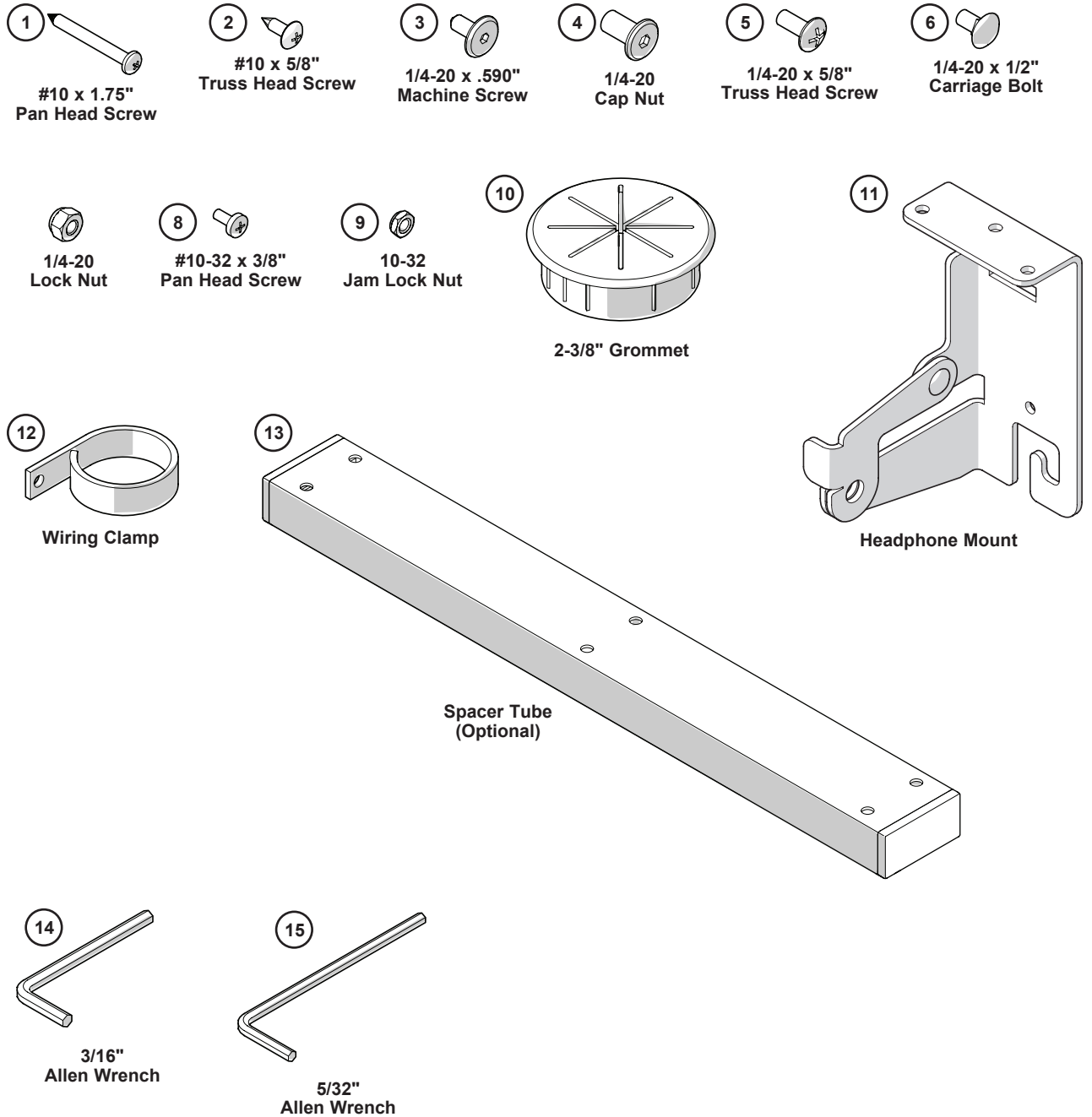
## ***Warranty***

Warranty information is available at [wengercorp.com](http://wengercorp.com).

## Required Tools

- Phillips head screwdriver
- 3/8" & 7/16" Open-end wrenches, or sockets
- 3/16" Allen wrench (supplied)
- 5/32" Allen wrench (supplied)

## Supplied Hardware

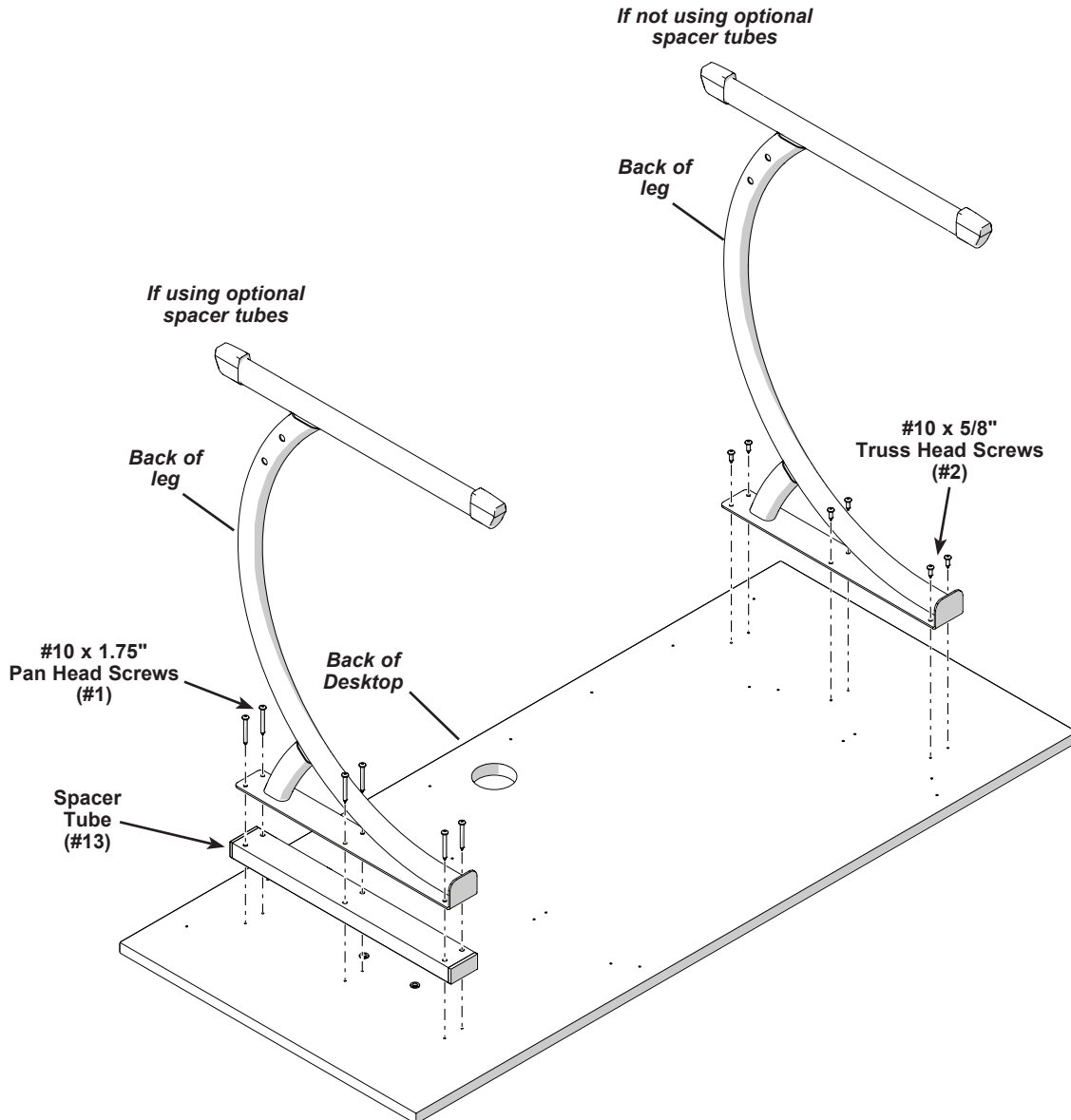


\*Quantities may vary, extras can be discarded.

# Assembly

1. Lay the desktop flat on the ground with the pilot holes facing up.  
**Be careful not to scratch the desktop surface!**
2. Attach the legs to the bottom of the desktop in the orientation shown below.
  - a. If including the optional spacer tubes (#13), attach the legs and spacer tubes to the desktop pilot holes using six #10-16 x 1.75" pan head screws (#1).
  - b. If not attaching the optional spacer tubes, attach the legs to the desktop pilot holes using six #10 x 5/8" truss head screws (#2).

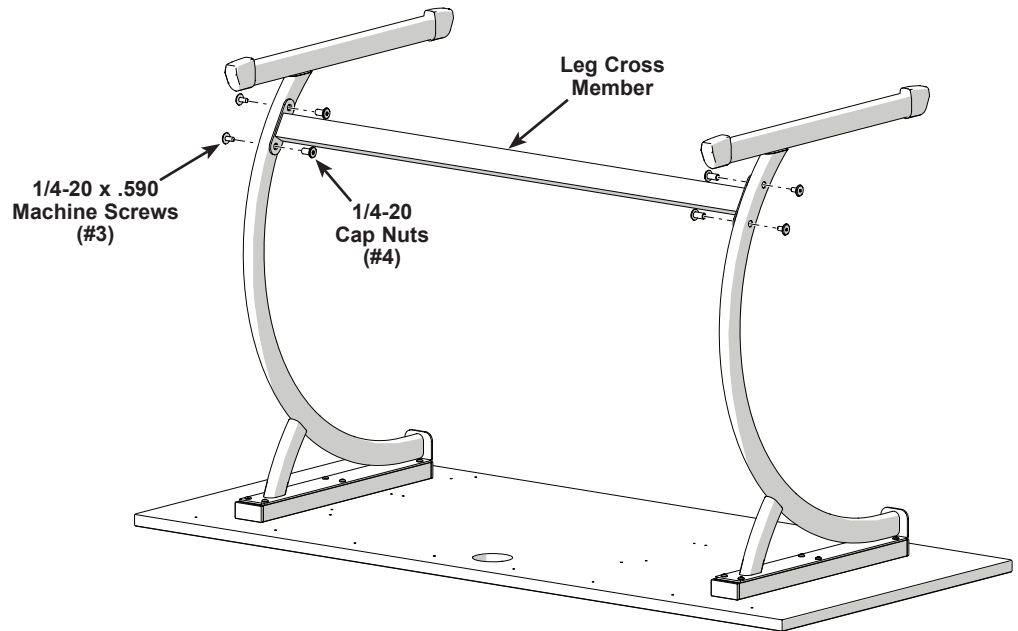
*The use of spacer tubes must be the same on both legs.*



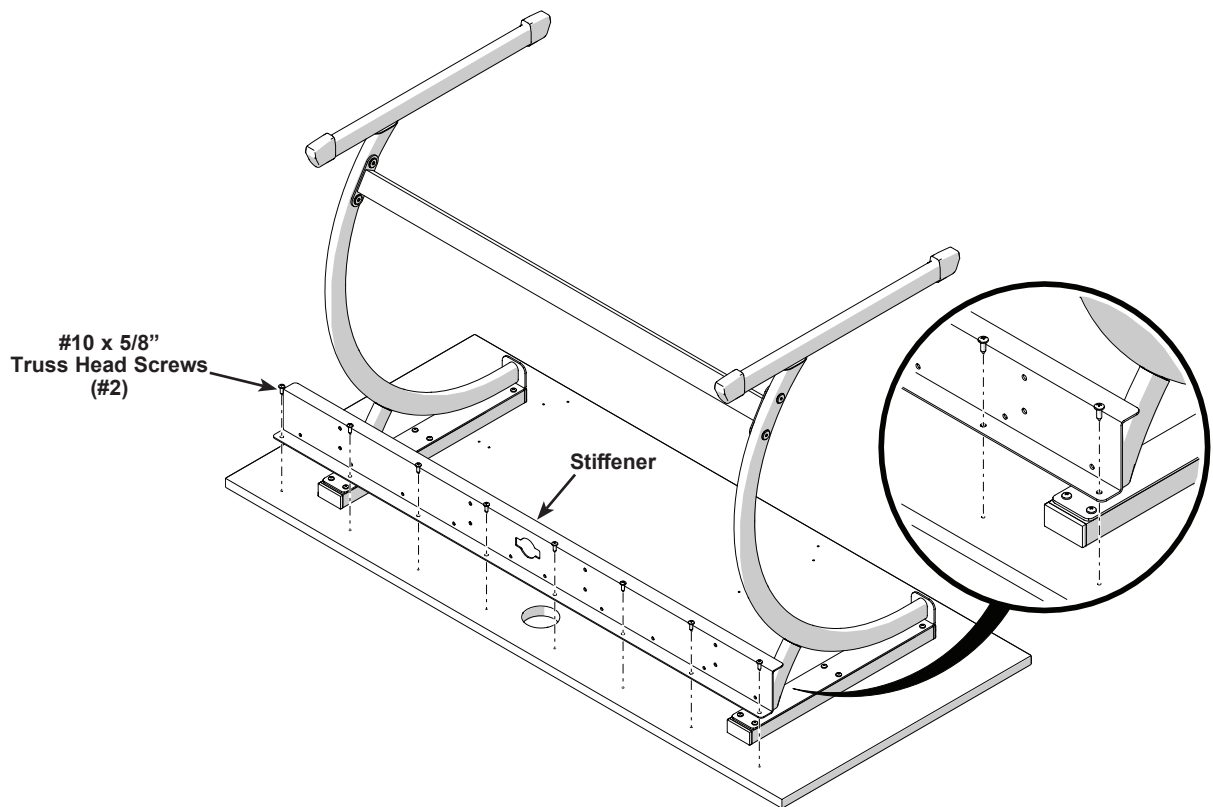
**Example only.**  
**If optional spacer tubes are used, they must be attached to both legs.**

## Assembly (continued)

3. Attach the leg cross member to both legs using two 1/4-20 x .590" machine screws (#3) and 1/4-20 cap nuts (#5).

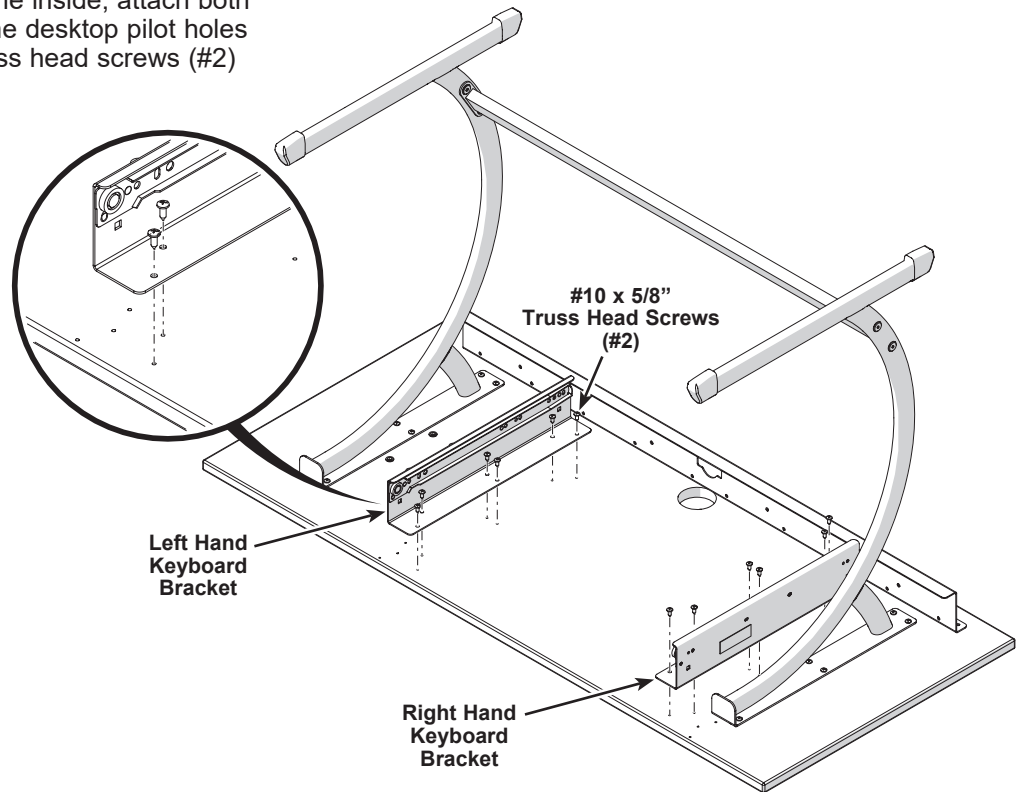


4. Attach the stiffener to the rear desktop pilot holes using eight #10 x 5/8" truss head screws (#2) as shown.



## Assembly (continued)

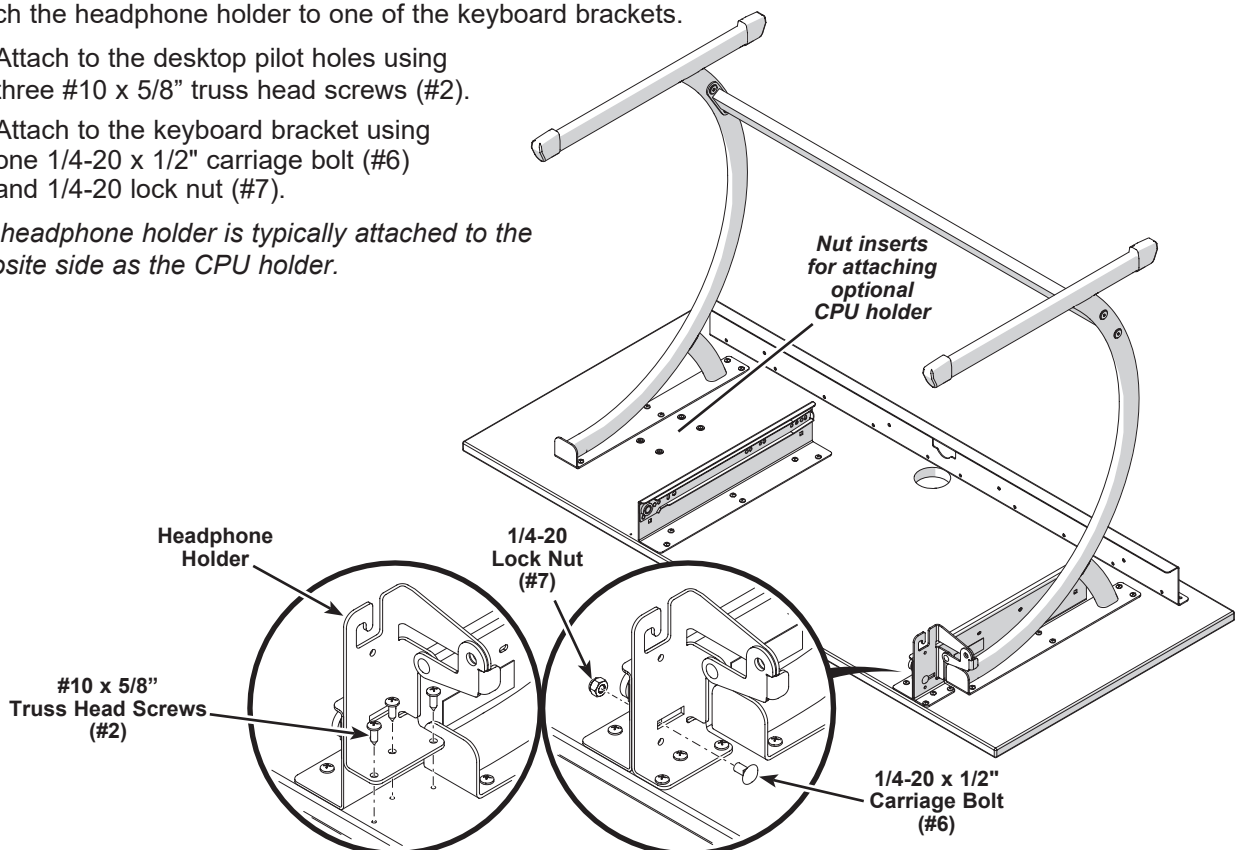
5. With the glides facing the inside, attach both keyboard brackets to the desktop pilot holes using six #10 x 5/8" truss head screws (#2) in each as shown.



6. Attach the headphone holder to one of the keyboard brackets.

- Attach to the desktop pilot holes using three #10 x 5/8" truss head screws (#2).
- Attach to the keyboard bracket using one 1/4-20 x 1/2" carriage bolt (#6) and 1/4-20 lock nut (#7).

*The headphone holder is typically attached to the opposite side as the CPU holder.*



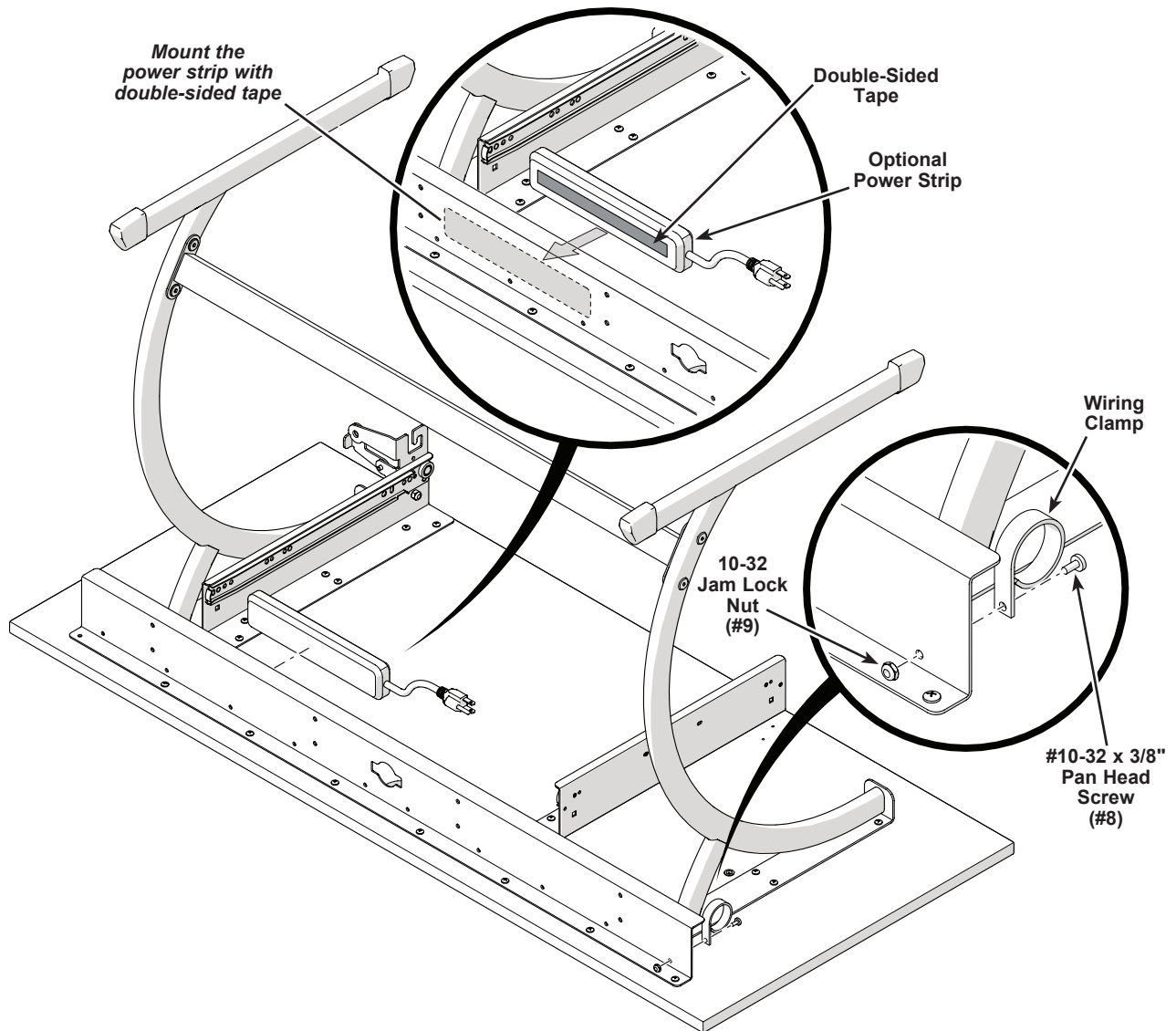
## Assembly (continued)

7. If attaching the optional power strip:
  - a. Clean the inside surface of the stiffener where the power strip will be applied.
  - b. Remove the backing from the double-sided tape and mount the power strip as shown.

### NOTICE

**Foam tape is difficult to remove once set.  
Be sure of location before pressing in place.**

If not installing a power strip, skip ahead to the next step.

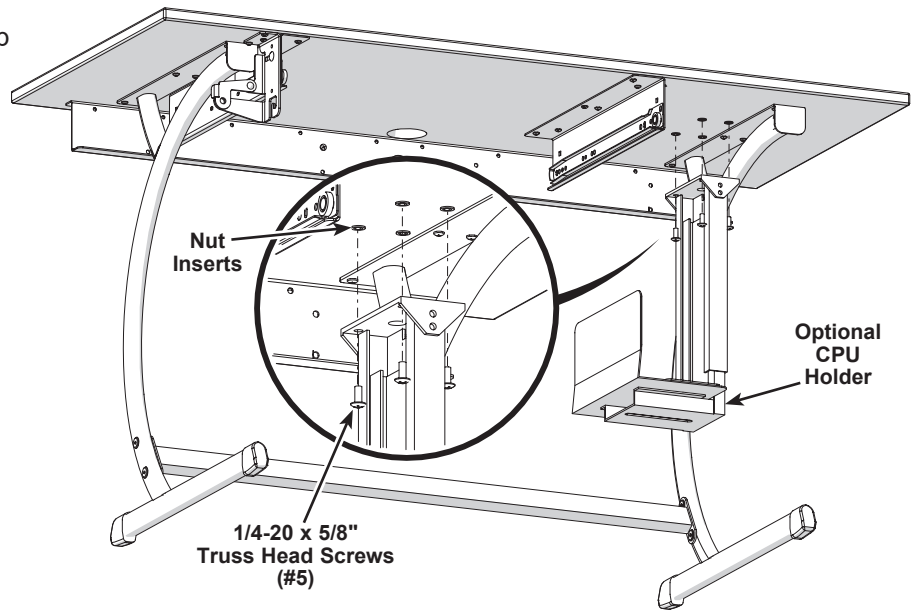


8. Attach wiring clamps (#12) as needed to the stiffener with one #10-32 x 3/8" pan head screw (#8) and 10-32 jam lock nut (#9) in each.

## Assembly (continued)

9. Turn the assembly over.  
If attaching the optional CPU holder:
- Assemble the CPU holder according to the manufacturer's instructions.
  - Attach the CPU holder to the nut inserts in the desktop with four 1/4-20 x 5/8" truss head screws (#5) as shown.

If not installing a CPU holder, skip ahead to the next step.



10. Push the grommet (#12) into the hole in the desktop.  
11. Tip the keyboard tray into the keyboard brackets and push it closed.

